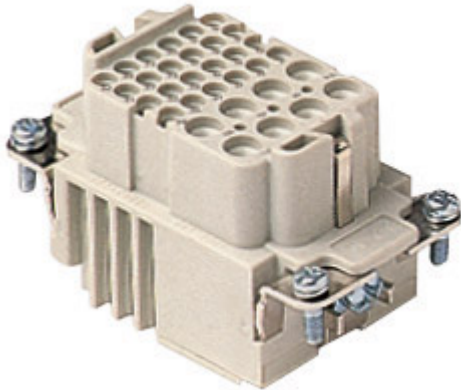


Part number

CXF 8/24



Brief description:

female insert, 8 poles + PE, crimp connections, 16A 400V, (24 poles (10A max - 250V)), 4kV, 2, for female contacts 16A and 10A, size "57.27", CLASS insert series

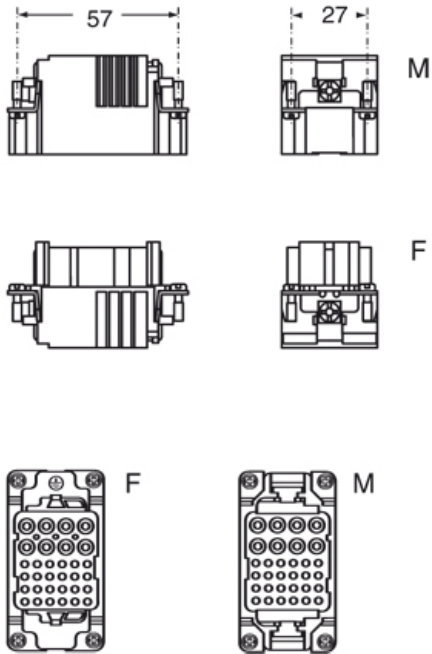
Product description		Approvals / Standards	
Model	female insert	Reference standard	EN 61984 (2001-11)
Version	crimp connections	Quality mark	, EAC
Series	CX	Conformity	CQC, CE
Product type	for female contacts 16A and 10A	General ordering information	
Family	CLASS inserts	EAN13 code	8015747042437
Size	size "57.27"	Tariff number	85369095
N. of poles	8 poles +	Country of origin	Made in EU (IT)
Auxiliary poles	24 poles (10A max - 250V)	ETIM classification	EC000438
Technical data		Packaging Information	
Current	16 A (A.C. and D.C.)	Sub-packaging weight	0,29 kg
Voltage	400 V	Sub-packaging description	Carton Box
Rated impulse withstand voltage	4kV	Sub-packaging quantity	5 Pcs
Pollution degree	2	Sub-packaging EAN barcode	8015747042444
Operating temperature range (min, max)	-40°C ... +125°C		
Mating cycles	≥ 500		
IP degree of protection	IP20 without enclosure; IP65/IP66/IP67/IP68 with enclosure		
Further technical details			
Characteristics according to EN 61984	16A 230/400V 4kV 3 (aux: 10A 160V 2.5kV 3); 16A 400V 4kV 2 (aux: 10A 250V 4kV 2)		
Insulation resistance	≥ 10 GΩ		
Rated voltage according to UL/CSA	600V		
UL 94 flammability rating	V-0		
Weight	57,00 g		

Part number

CXF 8/24



Catalogue drawings



Catalogue drawings

diagram CX 8/24 power poles

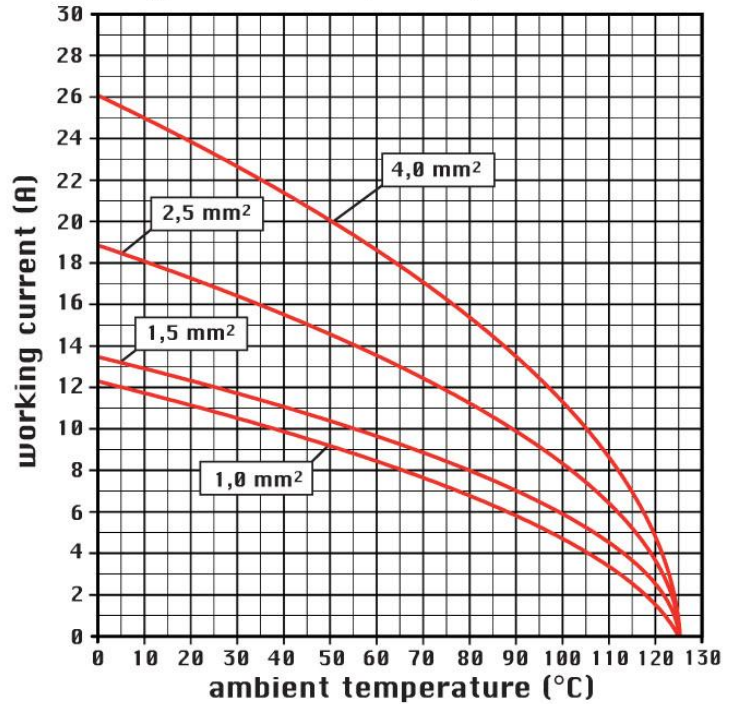
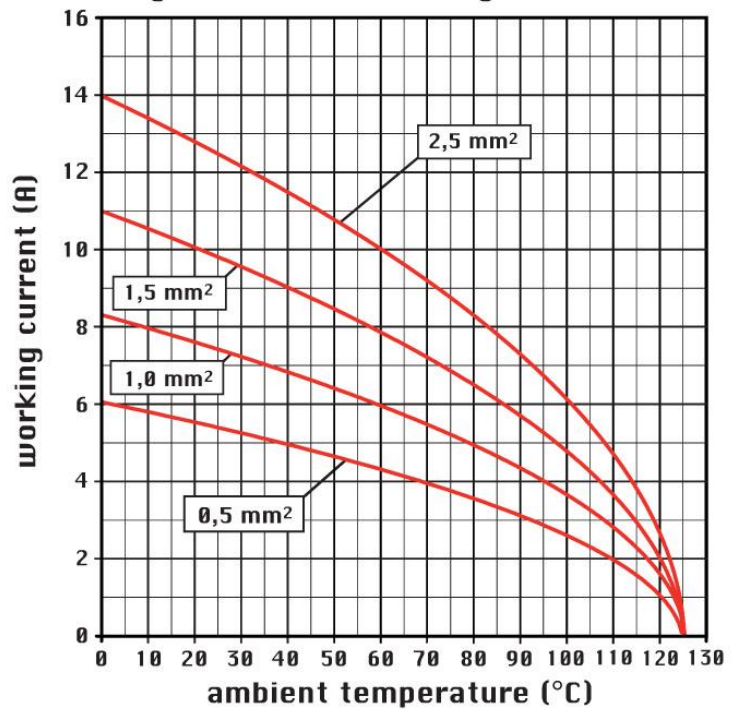


diagram CX 8/24 auxiliary poles



Notes

CXF/M 8/24 inserts

- characteristics according to EN 61984:

16A 230/400V 4kV 3

16A 400V 4kV 2

10A 160V 2,5kV 3

10A 250V 4kV 2

- rated voltage according to UL/CSA: 600V

- insulation resistance: > 10 GOhm

- ambient temperature limit: -40 °C ... +125 °C

- are made of self-extinguishing thermoplastic resin UL 94 V0

- mechanical life: > 500 cycles

- contact resistance: < 1 mOhm (8 poles) < 3 mOhm (24 poles)

- PCBs interface, see article CIF 2.4 (10A contacts)

- enclosures: size 57.27:

C-TYPE IP65/IP66

C7 IP67 stainless steel lever

V-TYPE IP65/IP66 stainless steel lever

T-TYPE IP65 insulating

JEI zinc-plated steel lever

BIG hoods

aggressive environments

EMC

central lever

IP68

- panel supports: COB
